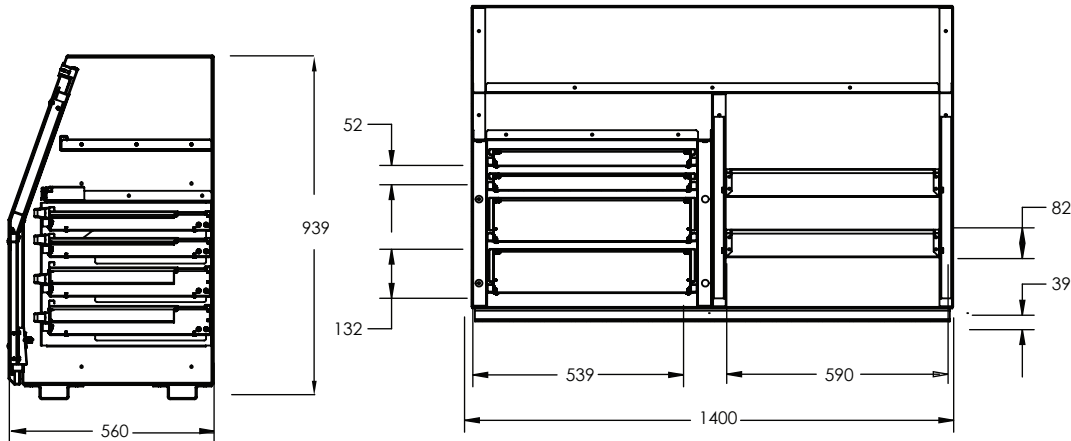
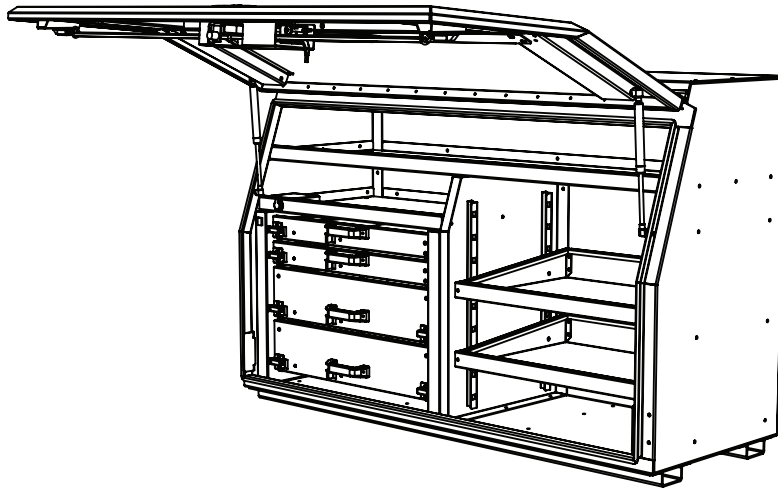




Toolboxes

1400 PT Toolbox

Toolbox Series



Model Description

The 1400 PT Toolbox is a premium heavy duty toolbox designed for the harshest applications. Manufactured from 2.5mm aluminium. Standard with four (4) sliding draws with self locking feature and nylon runner slides, Two (2) half width and one (1) full width shelves.

Swing up door is supported with gas struts and a 3-point locking system and slam shut lock.

Designed and Australian Made – Quality

- Chromate dipped and Powdered coated in a wide range of colours
- All toolboxes are water and dust resistant – protecting your valuable equipment

Dimensions

Width: 1400mm - Height: 939mm - Depth: 560mm

Ideal for use in the following industries

- Mining
- Building
- Transport

Warranty

- 3 years standard

Key Advantage

- 4 Storage draws and 3 Shelves

Contact Details:

Head Office

28-30 Quality Drive
Dandenong South
Victoria 3175

Freecall: 1300 131 574

P: 03 8791 7575

F: 03 9794 5681

W: www.ridgebackbodies.com.au

E: info@ridgebackbodies.com.au



