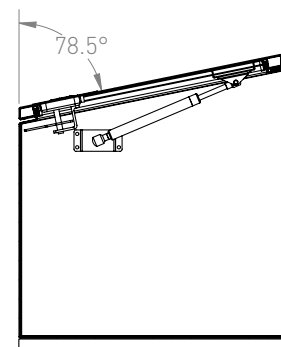
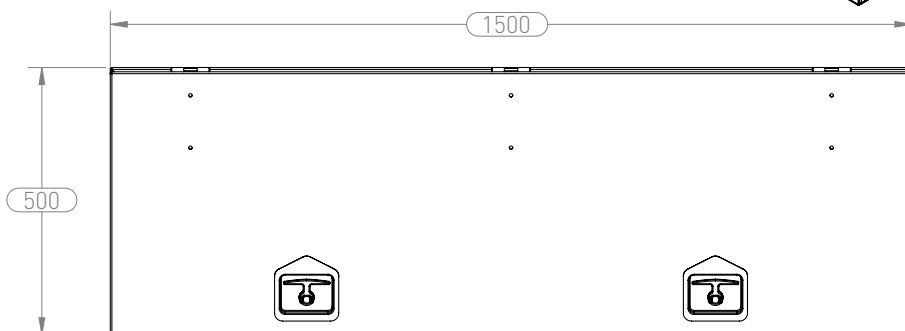
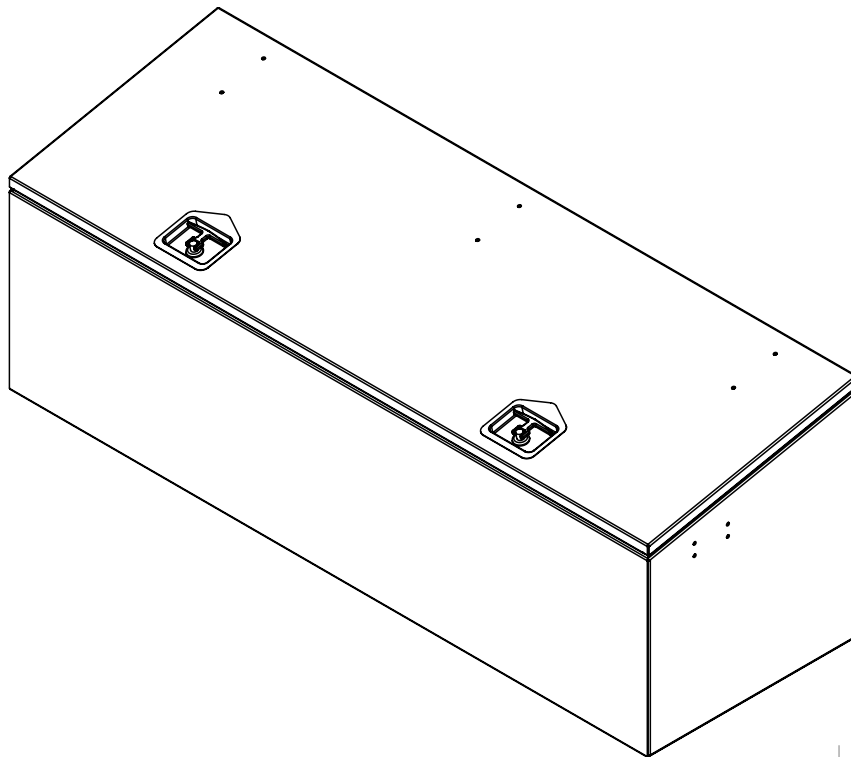




# 1500 FT Toolbox

Toolbox Series



## Model Description

The 1500 FT Toolbox is a medium duty flip-top toolbox designed for trade applications. Manufactured from 2.5mm aluminium. Wedge shape design

Swing up door is supported with gas struts and stainless steel door locks

## Designed and Australian Made – Quality

- Chromate dipped and Powdered coated in a wide range of colours
- All toolboxes are water and dust resistant – protecting your valuable equipment

## Dimensions

Width: 1500mm - Height: 500/531mm - Depth: 542mm

## Ideal for use in the following industries

- Field Service
- Building
- Transport

## Warranty

- 3 years standard

## Key Advantage

- Robust construction



## Contact Details:

### Head Office

28-30 Quality Drive  
Dandenong South  
Victoria 3175

Freecall: 1300 131 574

P: 03 8791 7575

F: 03 9794 5681

W: [www.ridgebackbodies.com.au](http://www.ridgebackbodies.com.au)

E: [info@ridgebackbodies.com.au](mailto:info@ridgebackbodies.com.au)