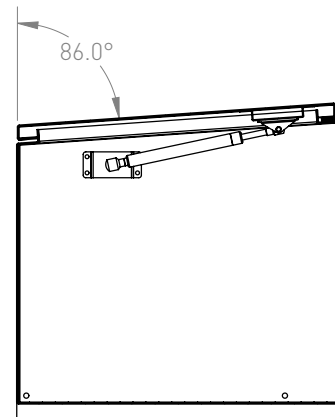
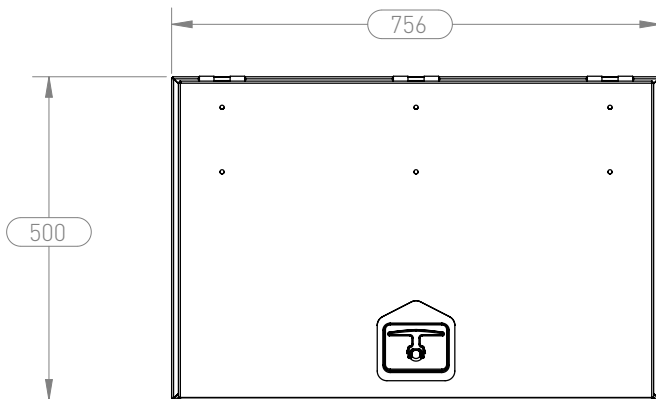
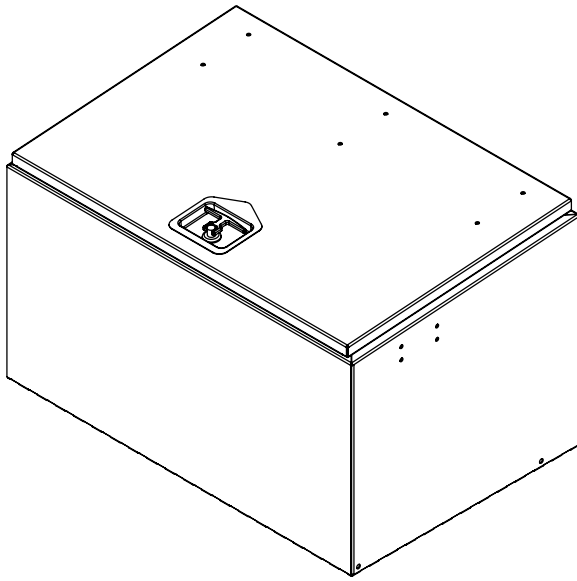




765 FT Toolbox

Toolbox Series



Model Description

The 765 FT Toolbox is a medium duty flip-top toolbox designed for trade applications. Manufactured from 2.5mm aluminium. Wedge shape design. Swing up door is supported with gas struts and stainless steel door locks.

Designed and Australian Made – Quality

- Chromate dipped and Powdered coated in a wide range of colours
- All toolboxes are water and dust resistant – protecting your valuable equipment

Dimensions

Width: 765mm - Height: 500mm - Depth: 500mm

Ideal for use in the following industries

- Field Service
- Building
- Transport

Warranty

- 3 years standard

Key Advantage

- Robust construction

Contact Details:

Head Office

28-30 Quality Drive
Dandenong South
Victoria 3175

Freecall: 1300 131 574

P: 03 8791 7575

F: 03 9794 5681

W: www.ridgebackbodies.com.au

E: info@ridgebackbodies.com.au

