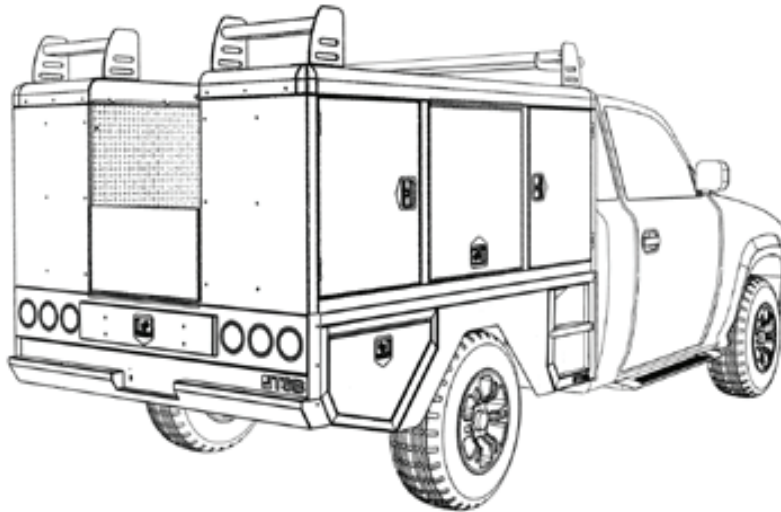




ELECTRICIANS

FE 2100 Electricians

Fixed Series



Model Description

The FE 2100 Electricians model is a fixed body open aisle style, with six compartments, with four on each side and two underbody. There is a 3/4 length open centre aisle with a half size rear door allowing full accessibility to open area. The internal layout and floor-plan is open in the front section compartments, whilst the two rear compartments are enclosed. The design allows for numerous shelving and wall layouts if required. Ladder racks and rear trundle draw are standard fitment

Designed and Australian Made – Quality

- The Body is manufactured from high strength, light weight aluminium
- Chromate dipped and Powdered coated in a wide range of colours
- Ergonomically designed to allow easy access to tools and equipment
- All compartments are water and dust resistant – protecting your valuable equipment
- Steel base frame

Fixed Series

Ridgeback range of Fixed Series service bodies are designed to complement the vehicle styling. The body is mounted directly to the vehicle chassis with our unique adjustable mounting rail. The body can also be refitted to a new vehicle in the future.

The Ridgeback fixed series includes underbody storage compartments and wheel arch valances custom designed for each vehicle make and model. Tail lights, number plate holder and rear steps are included

Ideal for use in the following industries

- Electricians
- Telecommunications
- Data Installation

Utility Vehicle Type

- All 1-tonne Space Cab Utilities

Warranty

- 3 years standard

Key Advantage

- Open aisle design allows for transport of cable reels or bulky items



RIDGEBACK
SERVICE BODIES



FE 2100 Electricians

Fixed Style

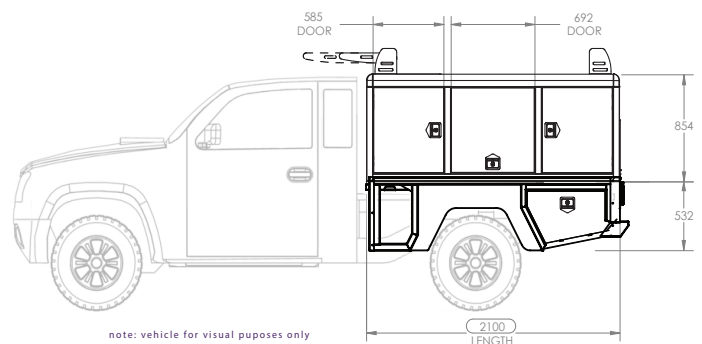
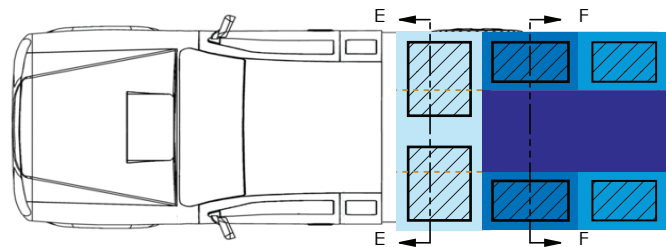
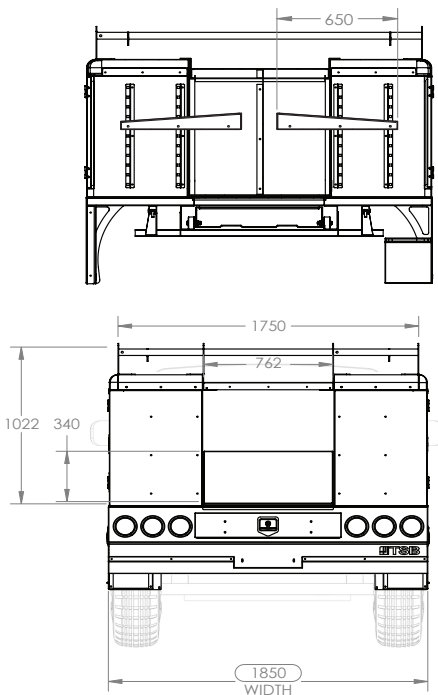
STANDARD SPECIFICATION:

Type:	Open Aisle style Fixed Service Body
Construction material:	Aluminium Body – TIG welded
Length:	2100mm
Width:	1850mm
Height:	1386mm to top of compartments
Weight:	275kg unladen
Compartments:	Six plus trundle draw
Shelving:	One adjustable shelf in each topside compartment
Doors:	Front & Rear Sides – 585mm One piece door. Centre Sides – 682mm One piece door One piece door. Gas struts, with full length Weatherproof hinges
Seals:	Rubber seals around door compartments
Ladder Racks:	Galvanized steel, full width, 300kg rated
Colour:	Dulux Pearl White
Paint finish	Powdered Coated
Handles/Locks	T-Handle style – on all doors
Frame Type	Steel base frame
Floor Type:	Powder-coated flat recessed aluminium sides and centre galvanized metal
Hinges	Stainless steel
Lights:	LED type stop, indicator and tail
Rear Section:	Steps with chequer plate finish

OPTIONS:

We offer a large range of options including shelving, draws, walls, electrical, central locking, security alarms, underbody storage/toolboxes.

Please refer to our website for full details or discuss with our sales staff



Contact Details:

Head Office
28-30 Quality Drive
Dandenong South
Victoria 3175

Freecall: 1300 131 574

P: 03 8791 7575

F: 03 9794 5681

W: www.ridgebackbodies.com.au

E: info@ridgebackbodies.com.au