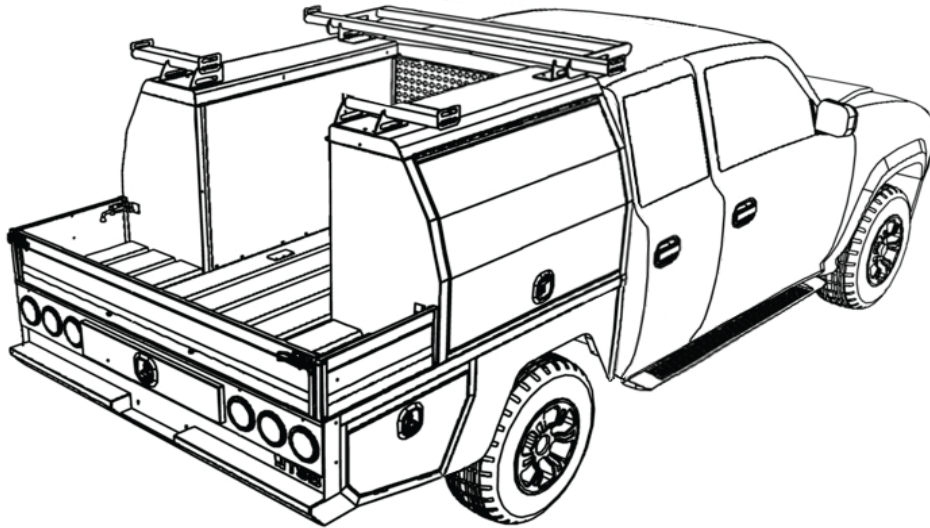




FM 1800 MECHANIC

Fixed Series



Model Description

The FM 1800 Mechanic model is a open asile style, with a full width rear tray section and two large compartments on each side. The rear tray is complete with drop down sides. The internal layout of each compartment allows for numerous shelving and draw layouts if required. Ladder racks and rear trundle draw are standard fitment

Designed and Australian Made – Quality

- The Body is manufactured from high strength, light weight aluminium
- Chromate dipped and Powdered coated in a wide range of colours
- Ergonomically designed to allow easy access to tools and equipment
- All compartments are water and dust resistant – protecting your valuable equipment
- Galvanised base frame

Fixed Series

Ridgeback range of Fixed Series service bodies are designed to complement the vehicle styling. The body is mounted directly to the vehicle chassis with our unique adjustable mounting rail. The body can also be refitted to a new vehicle in the future.

The Ridgeback fixed series includes underbody storage compartments and wheel arch valances custom designed for each vehicle make and model. Tail lights, number plate holder and rear steps are included

Ideal for use in the following industries

- Field Service
- Mobile Mechanics
- Diesel Mechanics

Utility Vehicle Type

- All 1-tonne Dual Cab Utilities

Warranty

- 3 years standard

Key Advantage

- Open Aisle allows for transport of bulky items
- Rear Tray section allows for fitment of cranes, vices ect



FM 1800 Mechanic

Fixed Style

STANDARD SPECIFICATION:

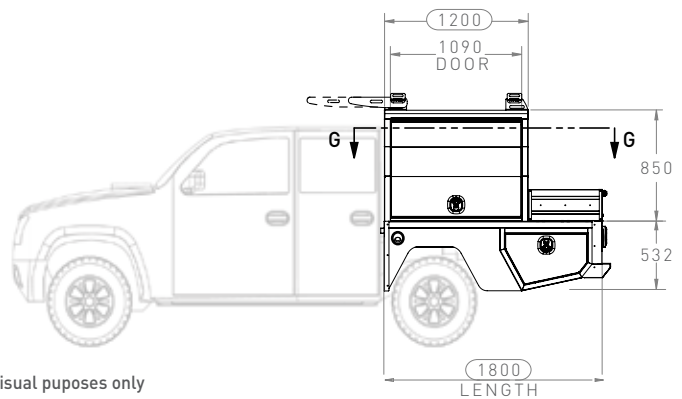
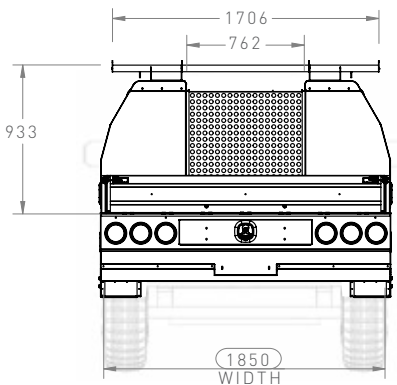
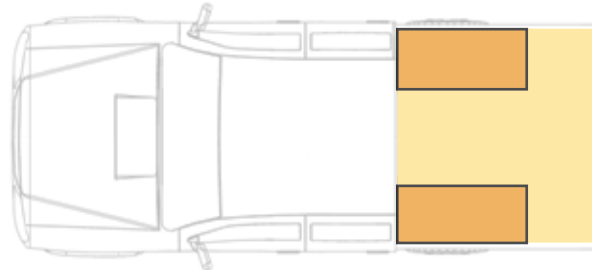
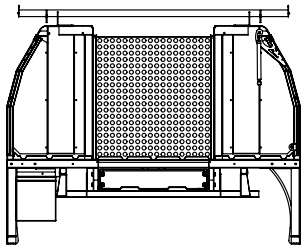
Type:	Open Aisle & Tray style Fixed Service Body
Construction material:	Aluminium Body – TIG welded
Length:	1800mm
Width:	1850mm
Height:	850mm
Weight:	250kg
Compartments:	Two
Doors:	Sides – 1090mm One piece door. Gas struts, with full length weatherproof top hinge
Seals:	Rubber seals around door compartments
Ladder Racks:	Galvanised steel, full width, 300kg rated
Colour:	Dulux Pearl White
Paint finish:	Powder Coated
Handles/Locks:	Ergo style – 3 point locking system on side doors
Frame Type:	Steel Galvanized 100mm base frame
Floor Type:	Galvanized metal
Hinges:	Stainless steel
Trundle Draw:	Lockable rear storage draw
Lights:	LED type stop, indicator and tail
Rear Section:	Steps with chequer plate finish
Underbody:	N/A

OPTIONS:

We offer a large range of options including shelving, draws, walls, electrical, central locking, security alarms, underbody storage/toolboxes.

Please refer to our website for full details or discuss with our sales staff

- AISLE & REAR TRAY
- COMPARTMENT 1 & 2



Note: Vehicle for visual puposes only



Contact Details:

Head Office
28-30 Quality Drive
Dandenong South
Victoria 3175

Freecall: 1300 131 574

P: 03 8791 7575

F: 03 9794 5681

W: www.ridgebackbodies.com.au

E: info@ridgebackbodies.com.au