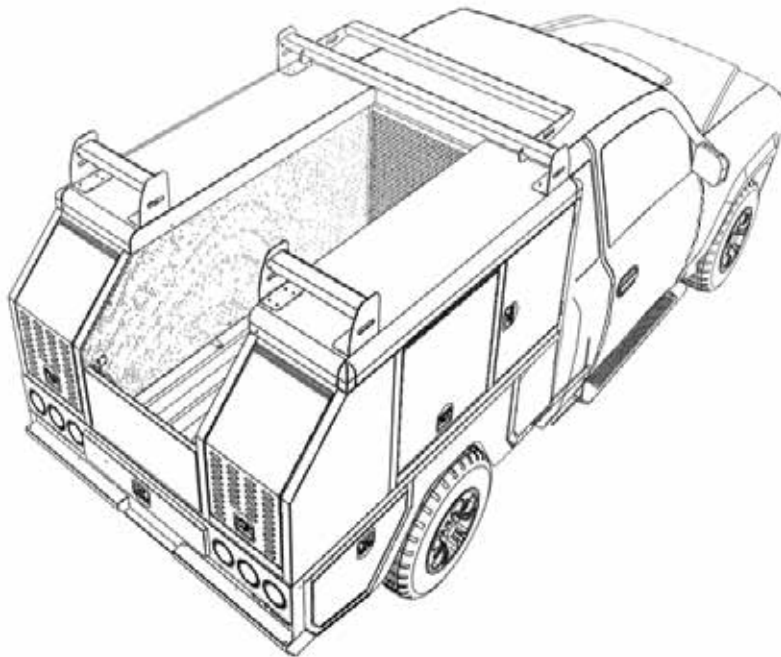




PLUMBERS

# FP 2100 PLUMBER

Fixed Series



## Model Description

The LP 2100 Plumber model is a full centre aisle style, with four compartments. The two front compartments each have an adjustable shelf and the rear compartments are purposely designed to provide storage for Oxy, Acetylene and Refrigeration bottles with louvered rear doors for air flow. Ladder racks and rear trundle draw are standard fitment

## Designed and Australian Made – Quality

- The Body is manufactured from high strength, light weight aluminium
- Chromate dipped and Powdered coated in a wide range of colours
- Ergonomically designed to allow easy access to tools and equipment
- All compartments are water and dust resistant – protecting your valuable equipment
- Steel base frame

## Fixed Series

Ridgeback range of Fixed Series service bodies are designed to complement the vehicle styling. The body is mounted directly to the vehicle chassis with our unique adjustable mounting rail. The body can also be refitted to a new vehicle in the future.

The Ridgeback fixed series includes underbody storage compartments and wheel arch valances custom designed for each vehicle make and model. Tail lights, number plate holder and rear steps are included

## Ideal for use in the following industries

- Plumbing
- Refrigeration
- HVAC

## Utility Vehicle Type

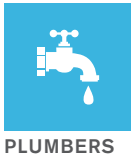
- All 1-tonne Space Cab Utilities

## Warranty

- 3 years standard

## Key Advantage

- Designed for Gas Bottle storage



# FP 2100 Plumber

## Fixed Style

### STANDARD SPECIFICATION:

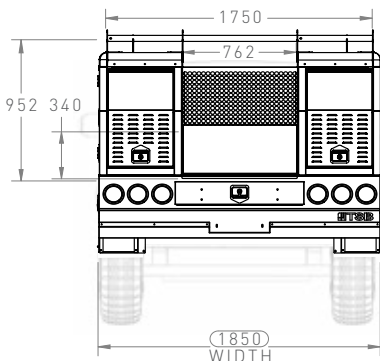
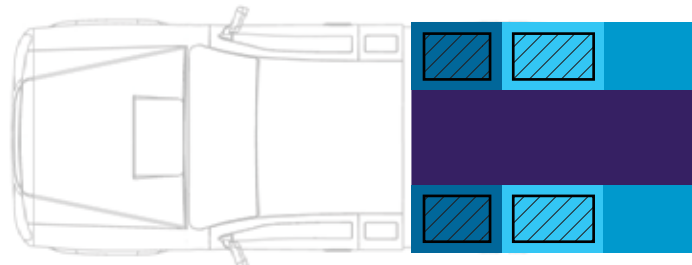
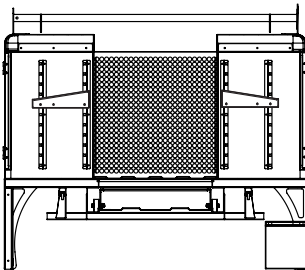
Type:	Open aisle style Fixed Service Body
Construction material:	Aluminium Body – TIG welded
Length:	2100mm
Width:	1850mm
Height:	1386mm
Weight:	290kg
Compartments:	Four plus trundle draw
Doors:	Sides – 585mm front and 692mm rear one piece door. Rear – 450mm one piece tapered door. Gas struts, with full length weatherproof top hinge
Seals:	Rubber seals around door compartments
Ladder Racks:	Galvanised steel, full width, 300kg rated
Colour:	Dulux Pearl White
Paint finish:	Powder Coated
Handles/Locks:	T-Handle – single point locking system on all doors
Frame Type:	Steel
Floor Type:	Powder-coated flat recessed aluminium in compartments and galvanized metal centre aisle
Hinges:	Stainless steel
Trundle Draw:	Lockable rear storage draw
Lights:	LED Stop, indicator and tail
Rear Section:	Steps with chequer plate finish
Underbody:	Side steps

### OPTIONS:

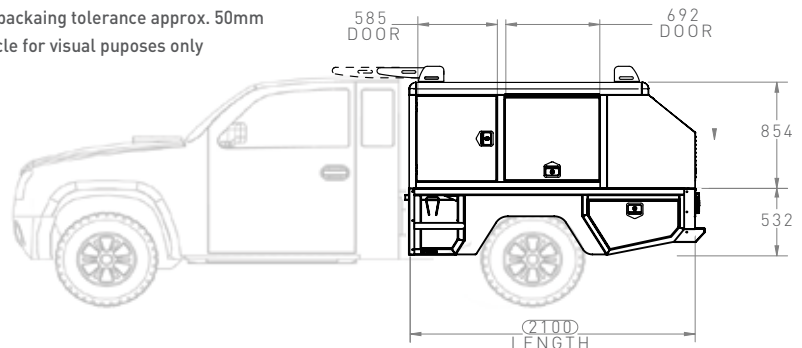
We offer a large range of options including shelving, draws, walls, electrical, central locking, security alarms, underbody storage/toolboxes.

Please refer to our website for full details or discuss with our sales staff

- AISLE
- COMPARTMENT 1
- COMPARTMENT 2
- COMPARTMENT 3
- STANDARD SHELF



Chassis mount to roof height: 1210mm  
Subject to packing tolerance approx. 50mm  
Note: Vehicle for visual purposes only



### Contact Details:

**Head Office**  
28-30 Quality Drive  
Dandenong South  
Victoria 3175

**Freecall:** 1300 131 574

**P:** 03 8791 7575

**F:** 03 9794 5681

**W:** [www.ridgebackbodies.com.au](http://www.ridgebackbodies.com.au)

**E:** [info@ridgebackbodies.com.au](mailto:info@ridgebackbodies.com.au)