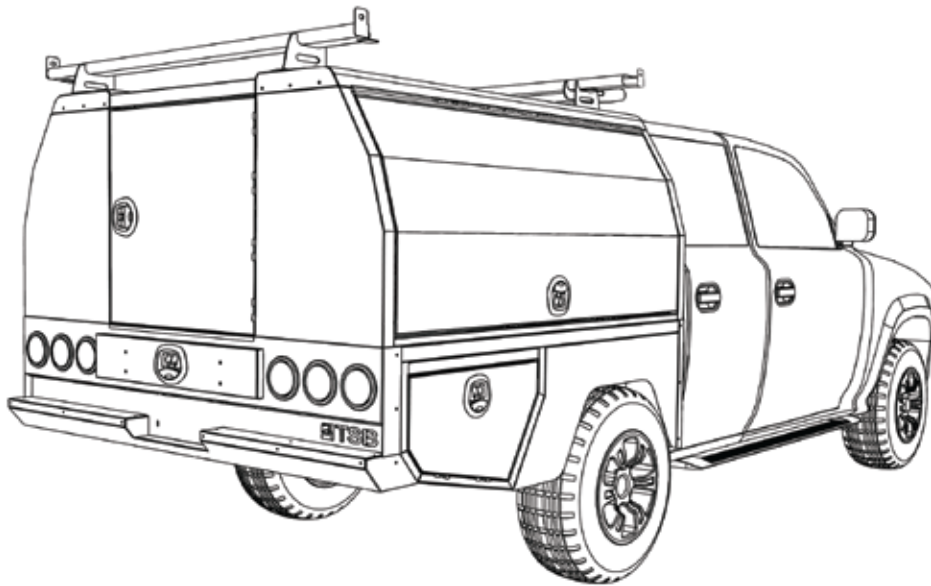




TELCO

FTC 1800 TECH CANOPY

Fixed Series



Model Description

The FTC 1800 Tech Canopy model is a fully enclosed Canopy style, with one large door on each side and a rear door allowing full accessibility to all sections of the Canopy. The internal layout and floor-plan is open as standard allowing for numerous shelving and wall layouts if required. Ladder racks and rear trundle draw are standard fitment

Designed and Australian Made – Quality

- The Body is manufactured from high strength, light weight aluminium
- Chromate dipped and Powdered coated in a wide range of colours
- Ergonomically designed to allow easy access to tools and equipment
- All compartments are water and dust resistant – protecting your valuable equipment
- Galvanised base frame

Fixed Series

Ridgeback range of Fixed Series service bodies are designed to complement the vehicle styling. The body is mounted directly to the vehicle chassis with our unique adjustable mounting rail. The body can also be refitted to a new vehicle in the future.

The Ridgeback fixed series includes underbody storage compartments and wheel arch valances custom designed for each vehicle make and model. Tail lights, number plate holder and rear steps are included

Ideal for use in the following industries

- Telecommunications
- Data Installation
- TV Installation

Utility Vehicle Type

- All 1-tonne Dual Cab Utilities

Warranty

- 3 years standard

Key Advantage

- Open floorplan provides numerous internal shelving, draw and wall layouts



FTC 1800 TECH CANOPY

Fixed Style

STANDARD SPECIFICATION:

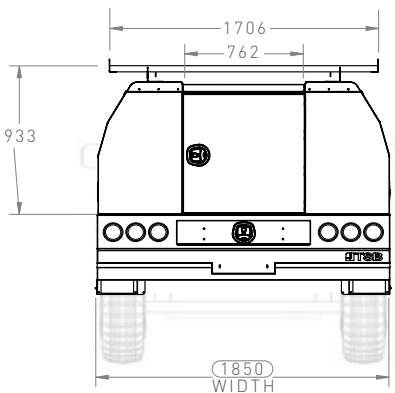
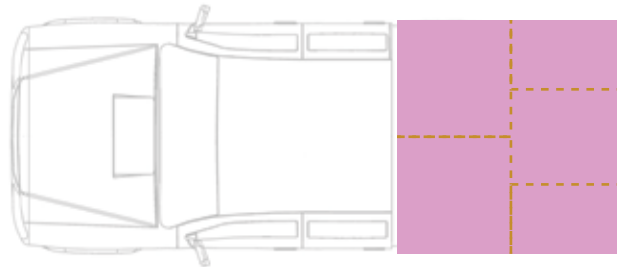
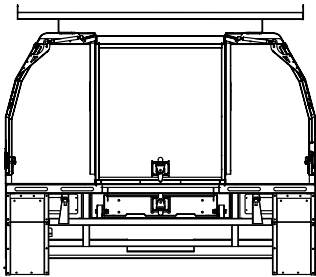
Type:	Canopy style Fixed Service Body
Construction material:	Aluminium Body – TIG welded
Length:	1800mm
Width:	1850mm
Height:	1382mm to top of compartments
Weight:	250kg
Compartments:	One Large open section
Doors:	Sides – 1690mm One piece door. Rear – 762mm One piece door. Gas struts, with full length weatherproof top hinge
Seals:	Rubber seals around door compartments
Ladder Racks:	Galvanised steel, full width, 300kg rated
Colour:	Dulux Pearl White
Paint finish:	Powder Coated
Handles/Locks:	Ergo style – 3 point locking system on side doors
Frame Type:	Steel Galvanized 100mm base frame
Floor Type:	Galvanized metal
Hinges:	Stainless steel
Trundle Draw:	Lockable rear storage draw
Lights:	LED type stop, indicator and tail
Rear Section:	Steps with chequer plate finish
Underbody:	N/A

OPTIONS:

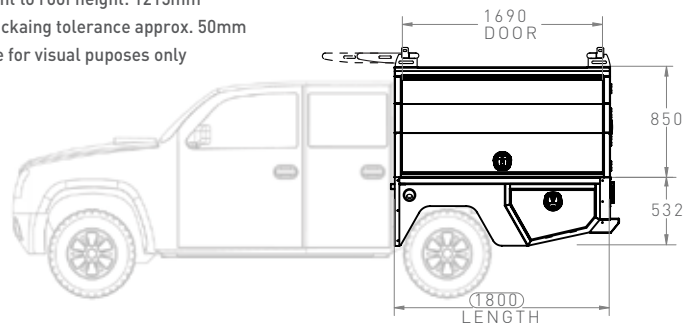
We offer a large range of options including shelving, draws, walls, electrical, central locking, security alarms, underbody storage/toolboxes.

Please refer to our website for full details or discuss with our sales staff

■ COMPARTMENT 1
□ OPTIONAL WALLS



Chassis mount to roof height: 1215mm
Subject to packing tolerance approx. 50mm
Note: Vehicle for visual purposes only



Contact Details:

Head Office
28-30 Quality Drive
Dandenong South
Victoria 3175

Freecall: 1300 131 574

P: 03 8791 7575

F: 03 9794 5681

W: www.ridgebackbodies.com.au

E: info@ridgebackbodies.com.au