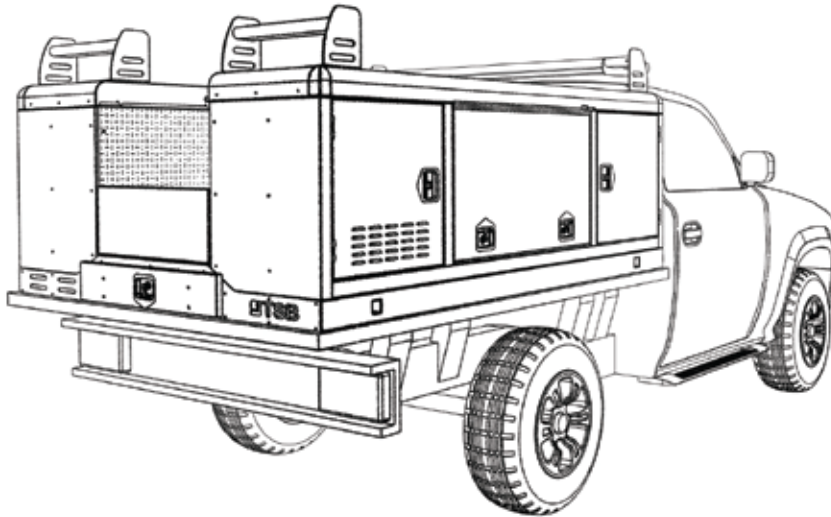




ELECTRICIANS

# LE 2400 Electricians

Lift Off Series



## Model Description

The LE 2400 Electricians model is an open aisle style, with six compartments, with three on each side. There is a 3/4 length open centre aisle with a half size rear door allowing full accessibility to open area. The internal layout and floor-plan is open in the front section compartments, whilst the four rear compartments are enclosed. The design allows for numerous shelving and wall layouts if required. Ladder racks and rear trundle draw are standard fitment

It is a lift off/removable type service body and is clamped to the aluminium or steel tray of the vehicle with the Ridgeback clamping system which is included as standard

## Designed and Australian Made – Quality

- The Body is manufactured from high strength, light weight aluminium
- Chromate dipped and Powdered coated in a wide range of colours
- Ergonomically designed to allow easy access to tools and equipment
- All compartments are water and dust resistant – protecting your valuable equipment
- Galvanized base frame

## Lift-off Series – Two vehicles in one

Work horse during the week – Safely securely and efficiently transporting your tools to the work site. Multi-purpose on the weekend. Lift-off the service body to carry your surfboards, camping gear, motorbikes or do a tip run with your flat tray.

The service body is easily removed and stored in minutes with four lifting Jacks – rated at 1000kg each ( Lifting Jacks are an optional extra)

## Ideal for use in the following industries

- Electricians
- Telecommunications
- Data Installation

## Utility Vehicle Type

- All 1-tonne Single Cab Utilities

## Warranty

- 3 years standard

## Key Advantage

- Open aisle design allows for transport of cable reels or bulky items



**RIDGEBACK**  
SERVICE BODIES



# LE 2400 Electricians

## Lift Off/Removeable Style

### STANDARD SPECIFICATION:

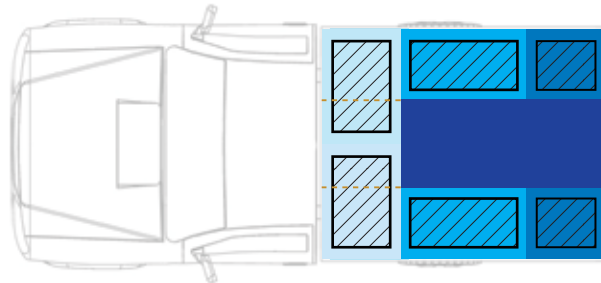
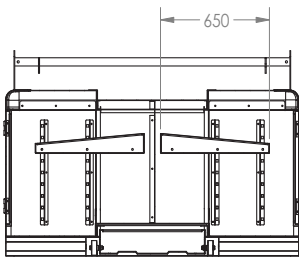
Type:	Open Aisle style Lift Off / Removeable Service Body
Construction material:	Aluminium Body – TIG welded
Length:	2400mm
Width:	1750mm
Height:	854mm to top of compartments
Weight:	300kg unladen
Compartments:	Six plus trundle draw
Shelving:	One adjustable shelf in each compartment
Doors:	Front & Rear Sides – 585mm One piece door. Middle Sides – 994mm One piece door Gas struts, with full length Weatherproof hinges
Seals:	Rubber seals around door compartments
Ladder Racks:	Galvanized steel, full width, 300kg rated
Colour:	Dulux Pearl White
Paint finish:	Powder Coated
Handles/Locks:	T-Handle style – on side doors
Frame Type:	Steel Galvanized 100mm base frame
Floor Type:	Powder-coated flat recessed aluminium sides and centre galvanized metal
Hinges:	Stainless steel
Clamping system:	4 x Slide in clamps with locking system
Trundle Draw:	Lockable rear storage draw

### OPTIONS:

We offer a large range of options including shelving, draws, walls, electrical, central locking, security alarms, underbody storage/toolboxes.

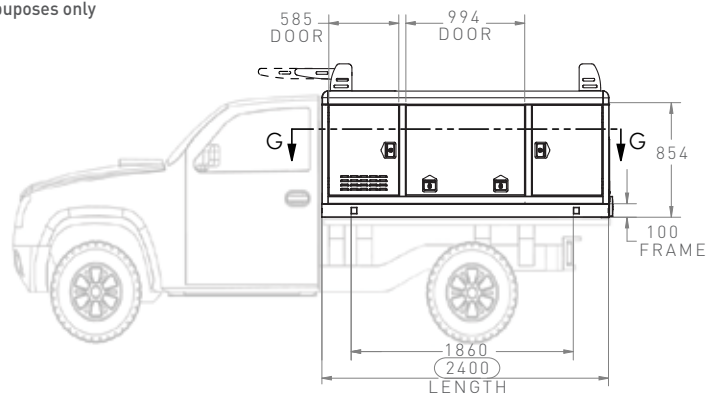
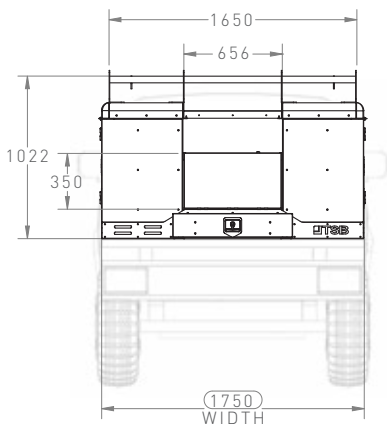
Please refer to our website for full details or discuss with our sales staff

- AISLE
- COMPARTMENT 1
- COMPARTMENT 2
- COMPARTMENT 3
- ▨ STANDARD SHELF
- ▨ OPTIONAL WALLS



FLOOR PLAN G-G

Note: vehicle for visual puposes only



### Contact Details:

**Head Office**  
28-30 Quality Drive  
Dandenong South  
Victoria 3175

**Freecall:** 1300 131 574

**P:** 03 8791 7575

**F:** 03 9794 5681

**W:** [www.ridgebackbodies.com.au](http://www.ridgebackbodies.com.au)

**E:** [info@ridgebackbodies.com.au](mailto:info@ridgebackbodies.com.au)