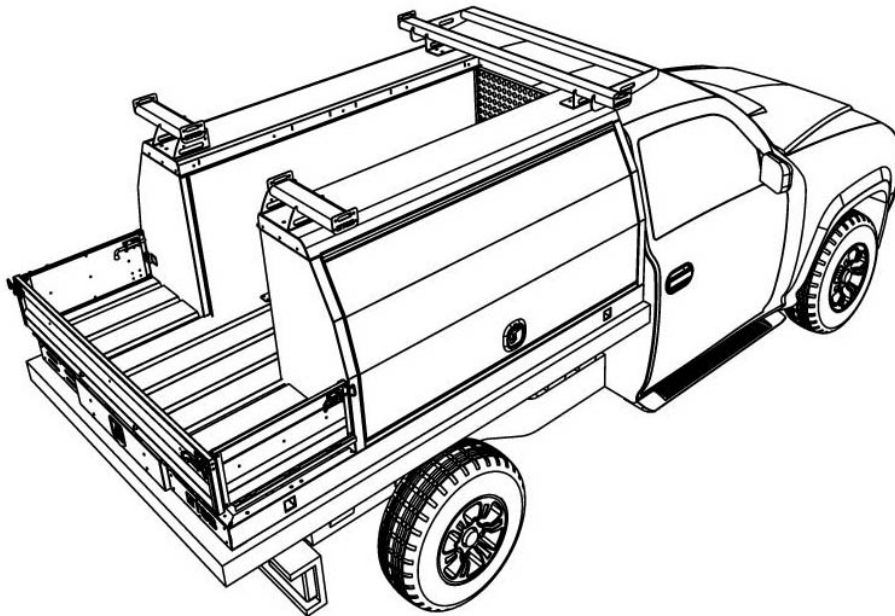




# LM 2400 MECHANIC

Lift Off Series



## Model Description

The LM 2400 Mechanic model is a open asile style, with a full width rear tray section and two large compartments on each side. The internal layout of each compartment allows for numerous shelving and draw layouts if required. Ladder racks and rear trundle draw are standard fitment.

It is a lift off/removable type service body and is clamped to the aluminium or steel tray of the vehicle with the Ridgeback clamping system which is included as standard.

## Designed and Australian Made – Quality

- The Body is manufactured from high strength, light weight aluminium
- Chromate dipped and Powdered coated in a wide range of colours
- Ergonomically designed to allow easy access to tools and equipment
- All compartments are water and dust resistant – protecting your valuable equipment
- Galvanised base frame

## Lift-off Series – Two vehicles in one

Work horse during the week – Safely, securely and efficiently transporting your tools to the work site. Multi-purpose on the weekend. Lift off the service body to carry your surfboards, camping gear, motorbikes or do a trip run with your flat tray.

The service body is easily removed and stored in minutes with four lifting jacks – rated at 1000kg each (Lifting Jacks are an optional extra)

## Ideal for use in the following industries

- Field Service
- Mobile Mechanics
- Diesel Mechanics

## Utility Vehicle Type

- All 1-tonne Single Cab Utilities

## Warranty

- 3 years standard

## Key Advantage

- Open Aisle allows for transport of bulky items
- Rear Tray section allows for fitment of cranes, vices ect



# LM 2400 Mechanic

## Lift Off/Removeable Style

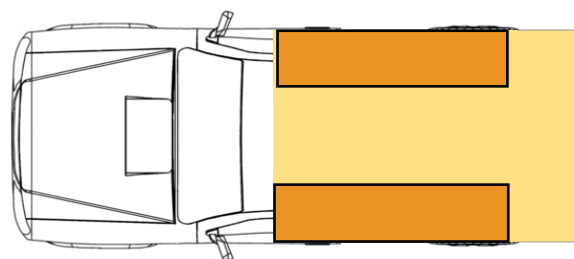
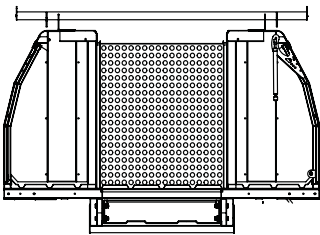
### STANDARD SPECIFICATION:

Type:	Open Aisle & Tray style Lift Off / Removeable Service Body
Construction material:	Aluminium Body – TIG welded
Length:	2400mm
Width:	1750mm
Height:	850mm
Weight:	300kg
Compartments:	Two
Doors:	Sides – 1690mm One piece door. Gas struts, with full length weatherproof top hinge
Seals:	Rubber seals around door compartments
Ladder Racks:	Galvanised steel, full width, 300kg rated
Colour:	Dulux Pearl White
Paint finish:	Powered Coated
Handles/Locks:	Ergo style – 3 point locking system on side doors
Frame Type:	Steel Galvanized 100mm base frame
Floor Type:	Powder-coated flat recessed aluminium sides and centre galvanized metal
Hinges:	Stainless steel
Clamping system:	4 x Slide in clamps with locking system
Trundle Draw:	Lockable rear storage draw

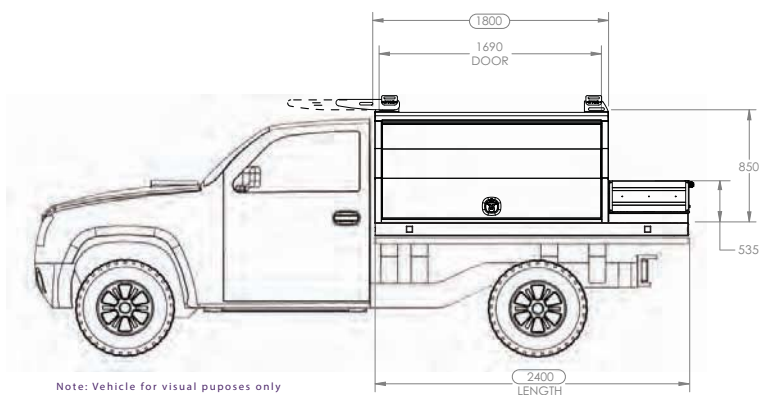
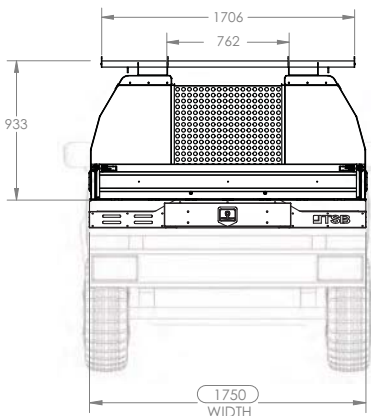
### OPTIONS:

We offer a large range of options including shelving, draws, walls, electrical, central locking, security alarms, underbody storage/toolboxes.

Please refer to our website for full details or discuss with our sales staff



■ AISLE & REAR TRAY  
■ COMPARTMENT 1 & 2



Note: Vehicle for visual puposes only



### Contact Details:

**Head Office**  
28-30 Quality Drive  
Dandenong South  
Victoria 3175

**Freecall:** 1300 131 574

**P:** 03 8791 7575

**F:** 03 9794 5681

**W:** [www.ridgebackbodies.com.au](http://www.ridgebackbodies.com.au)

**E:** [info@ridgebackbodies.com.au](mailto:info@ridgebackbodies.com.au)