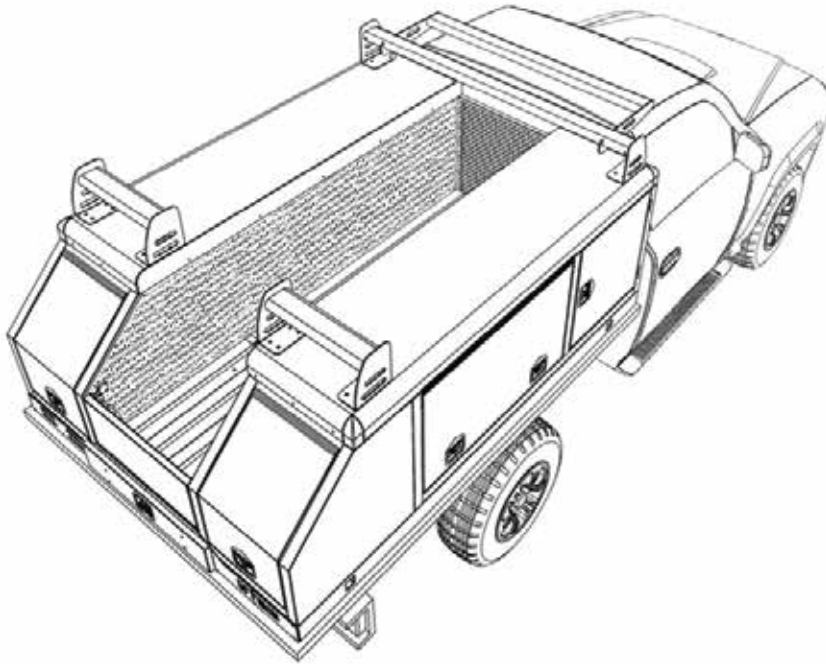




LP 2400 PLUMBER

Lift Off Series



Model Description

The LP 2400 Plumber model is a full centre aisle style, with six compartments. The two front and two centre compartments each have an adjustable shelf and the rear compartments are purposely designed to provide storage for Oxy, Acetylene and Refrigeration bottles with louvered rear doors for air flow. Ladder racks and rear trundle draw are standard fitment

It is a lift off/removable type service body and is clamped to the aluminium or steel tray of the vehicle with the Ridgeback clamping system which is included as standard

Designed and Australian Made – Quality

- The Body is manufactured from high strength, light weight aluminium
- Chromate dipped and Powdered coated in a wide range of colours
- Ergonomically designed to allow easy access to tools and equipment
- All compartments are water and dust resistant – protecting your valuable equipment
- Galvanised base frame

Lift-off Series – Two vehicles in one

Work horse during the week – Safely securely and efficiently transporting your tools to the work site. Multi-purpose on the weekend. Lift off the service body to carry your surfboards, camping gear, motorbikes or do a trip run with your flat tray.

The service body is easily removed and stored in minutes with four lifting jacks – rated at 1000kg each (Lifting Jacks are an optional extra)

Ideal for use in the following industries

- Plumbing
- Refrigeration
- HVAC

Utility Vehicle Type

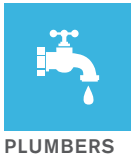
- All 1-tonne Single Cab Utilities

Warranty

- 3 years standard

Key Advantage

- Designed for Gas Bottle storage



LP 2400 Plumber

Lift Off/Removeable Style

STANDARD SPECIFICATION:

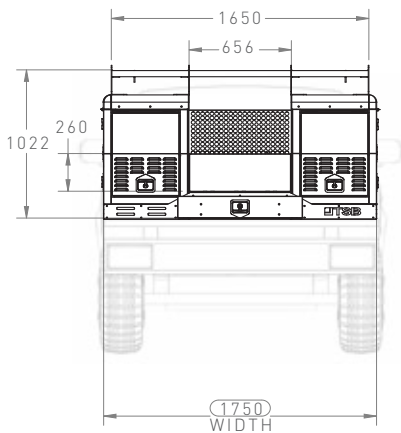
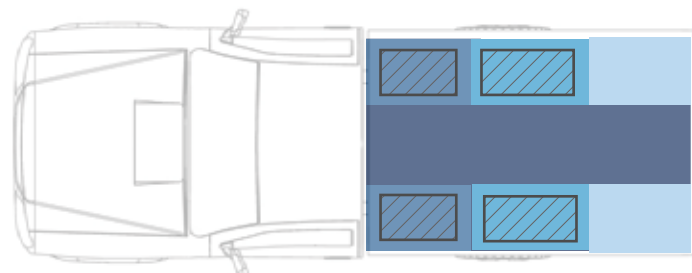
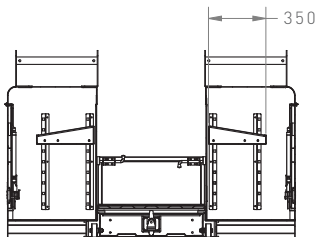
Type:	Open aisle style Lift Off / Removeable Service Body
Construction material:	Aluminium Body – TIG welded
Length:	2400mm
Width:	1750mm
Height:	850mm
Weight:	300kg
Compartments:	Six plus trundle draw
Doors:	Sides – 2 x 585mm and 2 x 994mm One piece door. Rear – 450mm One piece tapered door. Gas struts, with full length weatherproof top hinge
Seals:	Rubber seals around door compartments
Ladder Racks:	Galvanised steel, full width, 300kg rated
Colour:	Dulux Pearl White
Paint finish:	Powder Coated
Handles/Locks:	T-Handle – single point locking system on all doors
Frame Type:	Steel Galvanized 100mm base frame
Floor Type:	Powder-coated flat recessed aluminium sides and centre galvanised metal
Hinges:	Stainless steel
Clamping system:	4 x Slide in clamps with locking system
Trundle Draw:	Lockable rear storage draw

OPTIONS:

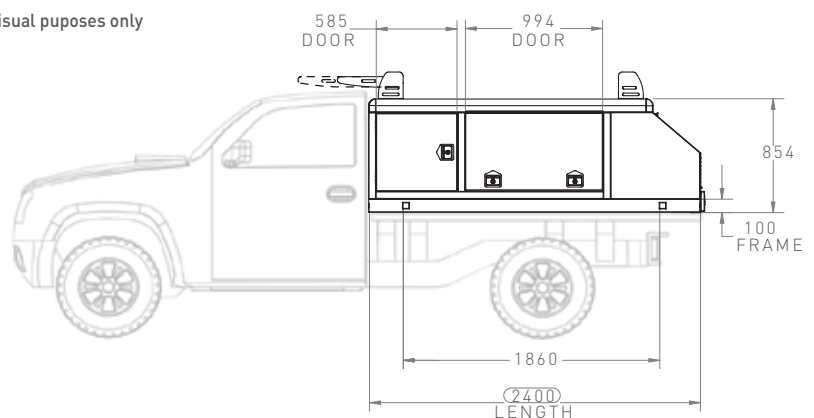
We offer a large range of options including shelving, draws, walls, electrical, central locking, security alarms, underbody storage/toolboxes.

Please refer to our website for full details or discuss with our sales staff

- AISLE
- COMPARTMENT 1
- COMPARTMENT 2
- COMPARTMENT 3
- ☑ STANDARD SHELF



Note: Vehicle for visual puposes only



Contact Details:

Head Office
28-30 Quality Drive
Dandenong South
Victoria 3175

Freecall: 1300 131 574

P: 03 8791 7575

F: 03 9794 5681

W: www.ridgebackbodies.com.au

E: info@ridgebackbodies.com.au