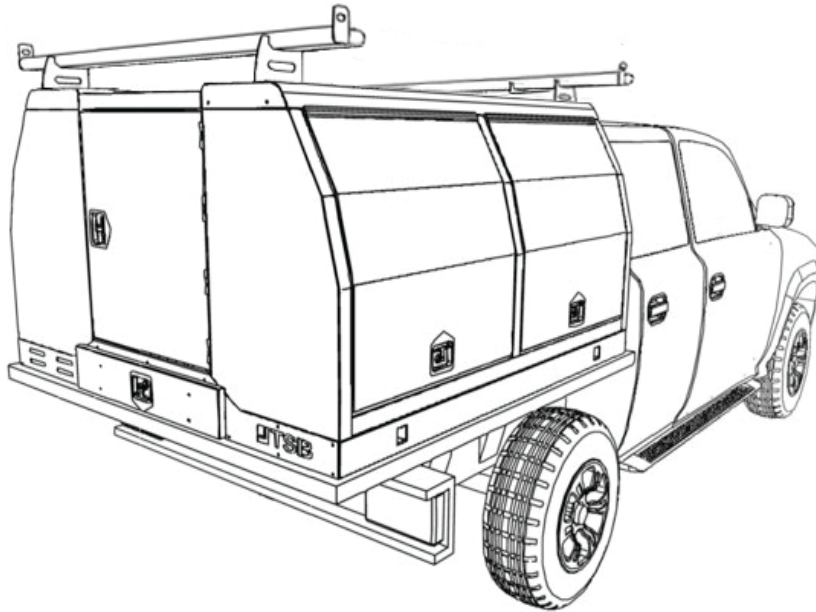




SERVICE

LS 1800 SERVICE

Lift Off Series



Model Description

The LS 1800 Service model is a fully enclosed Canopy style, with a large T section compartment and two individual compartments. There are four side doors and a rear door allowing full accessibility to all sections of the Canopy. The two side internal compartments come standard with an adjustable shelf.

Ladder racks and rear trundle draw are standard fitment

It is a lift off/removable type service body and is clamped to the aluminium or steel tray of the vehicle with the Ridgeback clamping system which is included as standard

Designed and Australian Made – Quality

- The Body is manufactured from high strength, light weight aluminium
- Chromate dipped and Powdered coated in a wide range of colours
- Ergonomically designed to allow easy access to tools and equipment
- All compartments are water and dust resistant – protecting your valuable equipment
- Galvanised base frame

Lift-off Series – Two vehicles in one

Work horse during the week – Safely securely and efficiently transporting your tools to the work site. Multi-purpose on the weekend. Lift off the service body to carry your surfboards, camping gear, motorbikes or do a trip run with your flat tray.

The service body is easily removed and stored in minutes with four lifting jacks – rated at 1000kg each (Lifting Jacks are an optional extra)

Ideal for use in the following industries

- Service Techs
- Mechanics

Utility Vehicle Type

- All 1-tonne Dual Cab Utilities

Warranty

- 3 years standard

Key Advantage

- T section compartment provides flexible storage options



SERVICE

LS 1800 SERVICE

Lift Off/Removeable Style

STANDARD SPECIFICATION:

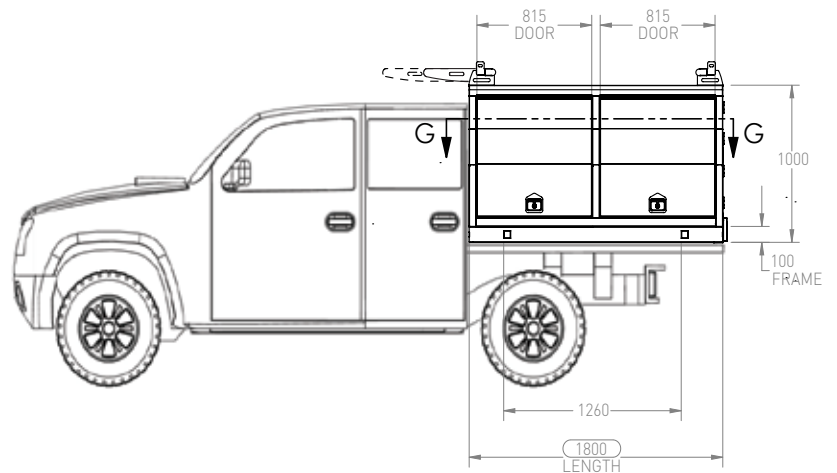
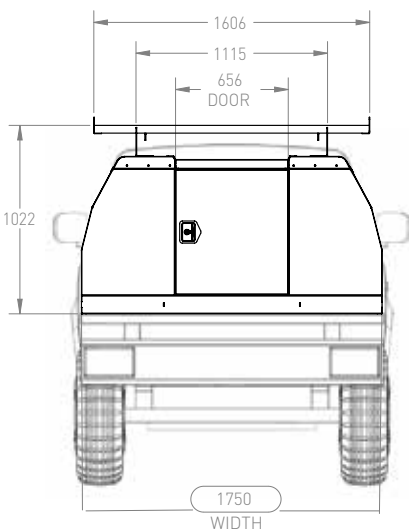
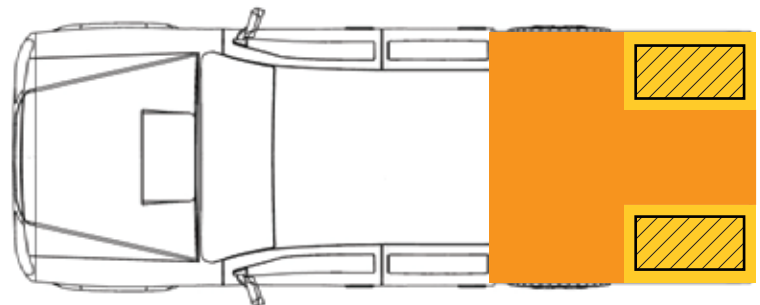
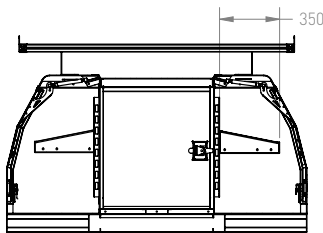
Type:	Canopy style Lift Off / Removeable Service Body
Construction material:	Aluminium Body – TIG welded
Length:	1800mm
Width:	1750mm
Height:	1000mm
Weight:	250kg
Compartments:	One large T-section compartment and 2 separate compartments that have one shelf each
Doors:	Sides – 815mm One piece door. Rear – 656mm One piece door. Gas struts, with full length weatherproof top hinge
Seals:	Rubber seals around door compartments
Ladder Racks:	Galvanised steel, full width, 300kg rated
Colour:	Dulux Pearl White
Paint finish:	Powder Coated
Handles/Locks:	T-handles
Frame Type:	Steel Galvanized 100mm base frame
Floor Type:	Galvanized metal
Hinges:	Stainless steel
Clamping system:	4 x Slide in clamps with locking system
Trundle Draw:	Lockable rear storage draw

OPTIONS:

We offer a large range of options including shelving, draws, walls, electrical, central locking, security alarms, underbody storage/toolboxes.

Please refer to our website for full details or discuss with our sales staff

- COMPARTMENT 1
- COMPARTMENT 2 & 3
- STANDARD SHELF



Contact Details:

Head Office
28-30 Quality Drive
Dandenong South
Victoria 3175

Freecall: 1300 131 574

P: 03 8791 7575

F: 03 9794 5681

W: www.ridgebackbodies.com.au

E: info@ridgebackbodies.com.au