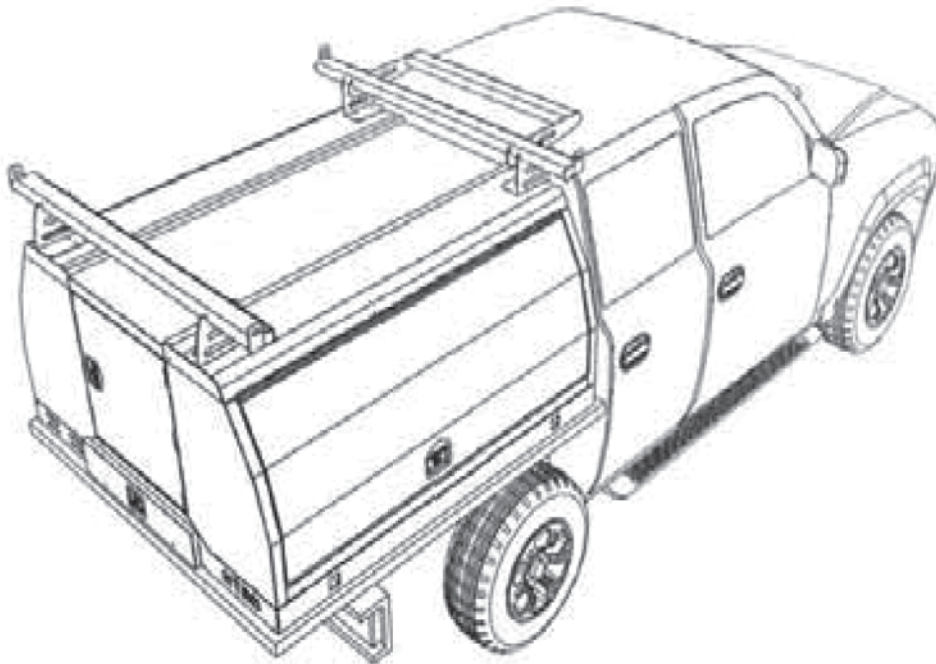




TELCO

# LTC 1800 TECH CANOPY

Lift Off Series



## Model Description

The LTC 1800 Tech Canopy model is a fully enclosed Canopy style, with one large door on each side and a rear door allowing full accessibility to all sections of the Canopy. The internal layout and floor-plan is open as standard allowing for numerous shelving and wall layouts if required. Ladder racks and rear trundle draw are standard fitment

It is a lift off/removable type service body and is clamped to the aluminium or steel tray of the vehicle with the Ridgeback clamping system which is included as standard

## Designed and Australian Made – Quality

- The Body is manufactured from high strength, light weight aluminium
- Chromate dipped and Powdered coated in a wide range of colours
- Ergonomically designed to allow easy access to tools and equipment
- All compartments are water and dust resistant – protecting your valuable equipment
- Galvanised base frame

## Lift-off Series – Two vehicles in one

Work horse during the week – Safely securely and efficiently transporting your tools to the work site. Multi-purpose on the weekend. Lift off the service body to carry your surfboards, camping gear, motorbikes or do a trip run with your flat tray.

The service body is easily removed and stored in minutes with four lifting jacks – rated at 1000kg each ( Lifting Jacks are an optional extra)

## Ideal for use in the following industries

- Telecommunications
- Data Installation
- TV Installation

## Utility Vehicle Type

- All 1-tonne Dual Cab Utilities

## Warranty

- 3 years standard

## Key Advantage

- Open floorplan provides numerous internal shelving, draw and wall layouts



# LTC 1800 TECH CANOPY

## Lift Off/Removeable Style

### STANDARD SPECIFICATION:

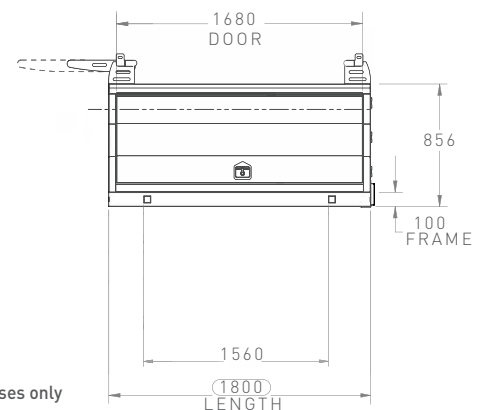
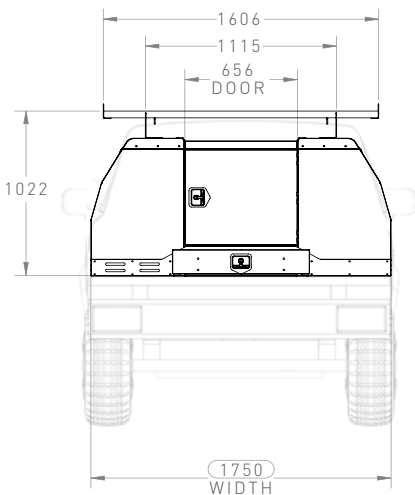
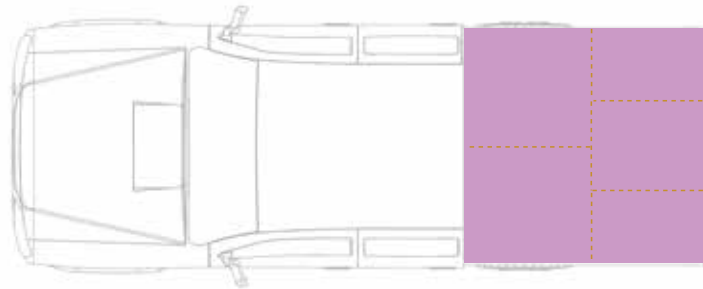
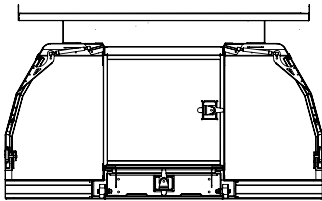
Type:	Canopy style Lift Off / Removeable Service Body
Construction material:	Aluminium Body – TIG welded
Length:	1800mm
Width:	1750mm
Height:	850mm
Weight:	250kg
Compartments:	One Large open section
Doors:	Sides – 1680mm One piece door. Rear – 656mm One piece door. Gas struts, with full length weatherproof top hinge
Seals:	Rubber seals around door compartments
Ladder Racks:	Galvanised steel, full width, 300kg rated
Colour:	Dulux Pearl White
Paint finish:	Powder Coated
Handles/Locks:	Ergo style – 3 point locking system on side doors
Frame Type:	Steel Galvanized 100mm base frame
Floor Type:	Galvanized metal
Hinges:	Stainless steel
Clamping system:	4 x Slide in clamps with locking system
Trundle Draw:	Lockable rear storage draw

### OPTIONS:

We offer a large range of options including shelving, draws, walls, electrical, central locking, security alarms, underbody storage/toolboxes.

Please refer to our website for full details or discuss with our sales staff

■ COMPARTMENT 1  
■ OPTIONAL WALLS



Note: Vehicle for visual puposes only



### Contact Details:

**Head Office**  
28-30 Quality Drive  
Dandenong South  
Victoria 3175

**Freecall:** 1300 131 574

**P:** 03 8791 7575

**F:** 03 9794 5681

**W:** [www.ridgebackbodies.com.au](http://www.ridgebackbodies.com.au)

**E:** [info@ridgebackbodies.com.au](mailto:info@ridgebackbodies.com.au)